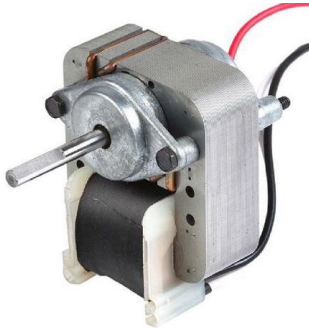


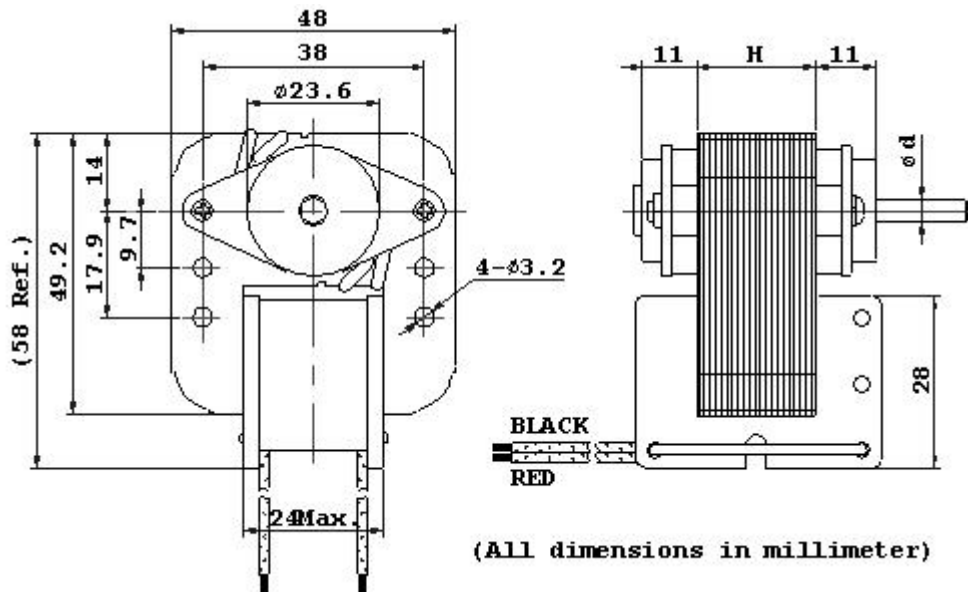
Shaded Pole Motor TW-48 series

Output Power: 1.0 ~10.0 W (Approx)

FEATURES:



- ※ Shaft diameter can be: Ø4.0mm, Ø5.0mm.
- ※ Shaft length can be any as customers' needs.
- ※ Stator height can be any from 7mm to 20mm to reach different power.
- ※ Brackets can be either metal or aluminum. Its height can be changed.
- ※ Motor rotation direction can be CW or CCW.



ELECTRICAL SPECIFICATION CHART: (The specifications can be changed as customers' requirement)

Model	Power Supply		Free Load			On Load				Max Torque (mN.m)	Starting Torque (mN.m)	Output (W)
	Voltage	Freq.	Current	Input	Speed	Current	Power	Speed	Torque			
	VAC	Hz	(A)	(W)	(RPM)	(A)	(W)	(RPM)	(mN.m)			
TW-4810M22	220	50	0.085	6.5	2800	0.100	7.5	2100	2.45	2.74	1.80	0.4
TW-4812M22	220	50	0.090	9.0	2820	0.110	10.5	2150	2.94	3.43	2.45	0.7
TW-4814M22	220	50	0.105	11.0	2820	0.120	13.0	2200	3.43	4.41	2.94	0.8
TW-4816M22	220	50	0.120	13.5	2830	0.135	15.5	2250	3.92	5.39	3.43	1.0
TW-4820M22	220	50	0.135	15.0	2830	0.145	19.0	2400	5.39	6.86	4.41	1.4